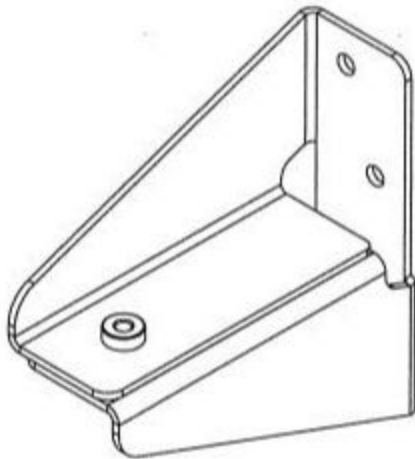


# Installation Instructions

What's included:



**Bracket-qty 4**



**4" Leg Leveler-qty 4**



**1 1/4" x 1/4" Washer-qty 12**



**2½" x ¼" Machine Screw-qty 12**



**¼" Split Lockwasher-qty 12**



**¼" Hex Nut-qty 12**



**⅝" Pan Head Screw-qty 4**



**6.3mm x 10mm Euro Screw-qty 4**



**⅜" Hex Nut- Qty 4**

## Tools Needed:

Sink Manufactures Specifications

Safety Glasses

Power Drill

5/16" Minimum Wood Drill Bit

#2 Phillips Bit

7/16" Socket or Adjustable Wrench

1/4" Socket or Flat Head Screwdriver (adjust leg leveler)

Masking Tape For Marking (optional)

Tape Measure

Level

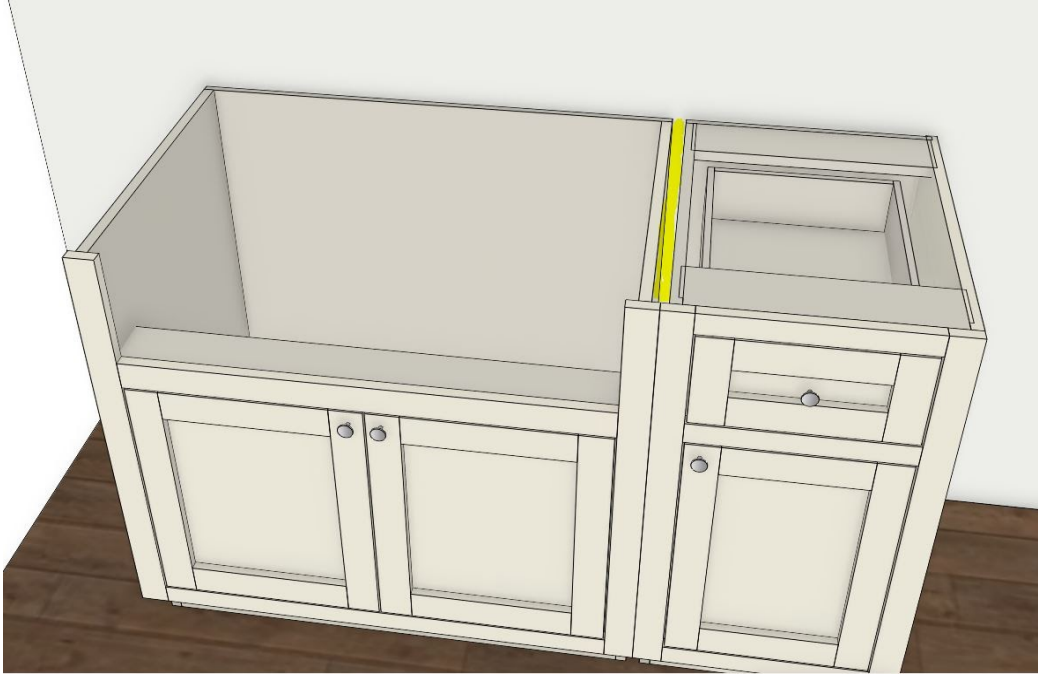
Pencil

## Read These Tips

### Doing so will ensure a great product

Manufacture will not be held responsible for damage to any product or other products due to incorrect installation, or negligence.

- Add 3/8" hex nut to post prior installation and tighten the hex nut against the weld nut after the sink is set. Hex nut goes above the weld nut.
- Finished sink weight not to exceed 400 lbs.
- Weld nuts for adjustable posts must be positioned to the top side of the bracket for proper installation.
- If the sink cabinet has cabinets to be attached to either side, fasten cabinets together prior start of installation.
- Any obstructions in flanking cabinets or appliances must be removed prior drilling. Such as shelving, pull outs, trash pullouts/bins, dishwashers, etc.
- Cabinetry with less than 3/4" side walls will need reinforcement.
- Any Voids between cabinets must be filled prior installation of bracket bolts going through both walls. Illustration below shows typical voids.
- Brackets must be mounted vertically straight.
- Install leg levelers after brackets have been installed and secured.
- Brackets recommended to be installed a minimum of 3" away from drain(s).
- Split lock washer and hex nut installed against bracket, Inside Cabinet.
- Video available online.



## Manual Installation (non-cnc)

Referencing sink manufactures specifications, note the sink height and depth needed for your specific application.

Height needed for sink, Plus (+) 3" is 3rd hole down from the top of the bracket. Bracket weld nut for adjustable post faces up.

Fasten brackets using the 5/8" Pan head screw into the 3rd hole down from the top of the bracket.



Level bracket vertically.

Mark Holes 1,2,&4.

**If needed remove bracket and drill holes 1, 2, & 4 with 5/16" drill bit.**

**Reinstall bracket using 5/8" Pan Head Screws.**

**Finish installing brackets using hardware provided.**

**Install leg leveler with 3/8" hex nut above the weld nut, insert sink and adjust for fit as needed.**

**Once the sink is in its final position, move 3/8" hex nut down to sit snug against the weld nut.**